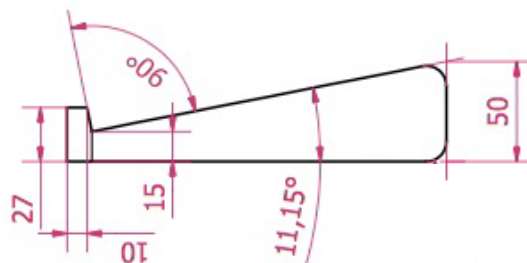
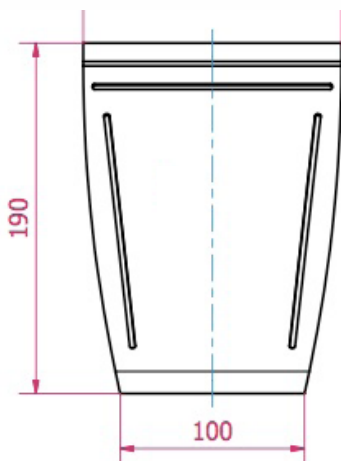


ADAM Desktop Stands

For desktop use suitable stands are available from ADAM Audio that are designed to enhance the acoustic setup of the following models: F5, A3X, A5X, ARTist 3 and ARTist 5. These stands align the tweeters to ear level, minimize direct desk surface reflections and by doing this, optimize the

amount of primary sound. Non-slip rubber coatings on both the set-up area and underneath the stand ensure solid foothold and acoustic decoupling of the speaker. The desktop stands are available in black or white. Material: coated MDF.



All dimensions in millimeters